

Wire Wound Chip Inductors - MW5650 SERIES

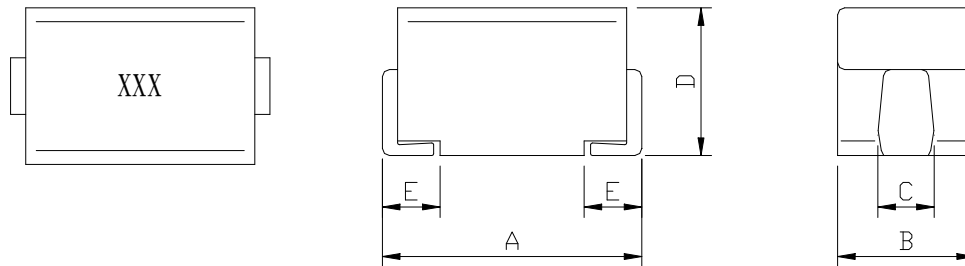


PART NUMBERING SYSTEM

MW	5 6 5 0	—	1 0 0 K	—	LF
TYPE	DIMENSIONS		INDUCTANCE		LEAD FREE

SHAPES AND DIMENSIONS

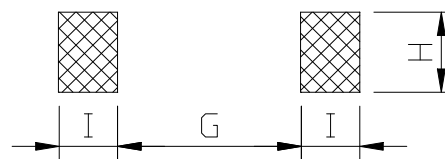
UNIT : mm



A=5.6±0.3 B=5.0±0.3 C=4.0±0.2 D=5.3 Max. E=1.0 Ref.

RECOMMENDED PATTERNS

UNIT : mm



G=4.0 H=4.5 I=2.0

FEAUTES

- Low DC resistance and high current
- Inductance range from 1uH to 10000uH
- Application for Personal computers, Hard disk drives , XDSL modern and Cable modern .
- RoHS Compliant .

Wire Wound Chip Inductors - MW5650 SERIES



SPECIFICATION TABLE

PART NUMBER	INDUCTANCE (μ H)	Q. MIN.	TEST FREQ (MHz)	SRF (MHz) MIN.	DCR (Ω) (max)	IDC (mA) (max)
MW5650-1R0K-LF	1.0 \pm 10%	10	7.96	95	0.030	1800
MW5650-1R2K-LF	1.2 \pm 10%	10	7.96	70	0.035	1700
MW5650-1R5K-LF	1.5 \pm 10%	10	7.96	55	0.04	1600
MW5650-1R8K-LF	1.8 \pm 10%	10	7.96	47	0.05	1400
MW5650-2R2K-LF	2.2 \pm 10%	10	7.96	42	0.06	1300
MW5650-2R7K-LF	2.7 \pm 10%	10	7.96	37	0.07	1200
MW5650-3R3K-LF	3.3 \pm 10%	10	7.96	34	0.08	1120
MW5650-3R9K-LF	3.9 \pm 10%	10	7.96	32	0.09	1050
MW5650-4R7K-LF	4.7 \pm 10%	10	7.96	29	0.11	950
MW5650-5R6K-LF	5.6 \pm 10%	10	7.96	26	0.13	880
MW5650-6R8K-LF	6.8 \pm 10%	10	7.96	24	0.15	810
MW5650-8R2K-LF	8.2 \pm 10%	10	7.96	22	0.18	750
MW5650-100K-LF	10.0 \pm 10%	10	2.52	19	0.21	690
MW5650-120K-LF	12.0 \pm 10%	10	2.52	17	0.25	630
MW5650-150K-LF	15.0 \pm 10%	10	2.52	16	0.30	580
MW5650-180K-LF	18.0 \pm 10%	10	2.52	14	0.36	530
MW5650-220K-LF	22.0 \pm 10%	10	2.52	13	0.43	480
MW5650-270K-LF	27.0 \pm 10%	10	2.52	11.5	0.52	440
MW5650-330K-LF	33.0 \pm 10%	10	2.52	10.5	0.62	400
MW5650-390K-LF	39.0 \pm 10%	10	2.52	9.5	0.72	370
MW5650-470K-LF	47.0 \pm 10%	10	2.52	8.5	0.85	340
MW5650-560K-LF	56.0 \pm 10%	10	2.52	7.8	1.0	310
MW5650-680K-LF	68.0 \pm 10%	10	2.52	7.0	1.2	290
MW5650-820K-LF	82.0 \pm 10%	10	2.52	6.4	1.4	270

- Rated DC current : Base on temperature rise not to exceed at 20°C and inductance is 90% more than its nominal value.
- Operating temperature : -40°C to 105°C.



Wire Wound Chip Inductors - MW5650 SERIES



SPECIFICATION TABLE

PART NUMBER	INDUCTANCE (μ H)	Q. MIN.	TEST FREQ (MHz)	SRF (MHz) MIN.	DCR (Ω) (max)	IDC (mA) (max)
MW5650-101K-LF	100 \pm 10%	20	0.796	6.0	1.6	250
MW5650-121K-LF	120 \pm 10%	20	0.796	5.4	1.9	230
MW5650-151K-LF	150 \pm 10%	20	0.796	4.8	2.2	210
MW5650-181K-LF	180 \pm 10%	20	0.796	4.4	2.8	190
MW5650-221K-LF	220 \pm 10%	20	0.796	3.9	3.4	170
MW5650-271K-LF	270 \pm 10%	20	0.796	3.6	4.2	155
MW5650-331K-LF	330 \pm 10%	20	0.796	3.2	4.9	140
MW5650-391K-LF	390 \pm 10%	20	0.796	2.9	5.8	130
MW5650-471K-LF	470 \pm 10%	20	0.796	2.6	7.0	120
MW5650-561K-LF	560 \pm 10%	20	0.796	2.4	8.5	110
MW5650-681K-LF	680 \pm 10%	20	0.796	2.2	10	100
MW5650-821K-LF	820 \pm 10%	20	0.796	2.0	13	90
MW5650-102K-LF	1000 \pm 10%	20	0.252	1.8	15	85
MW5650-122J-LF	1200 \pm 5%	20	0.252	1.5	17	75
MW5650-152J-LF	1500 \pm 5%	20	0.252	1.4	20	70
MW5650-182J-LF	1800 \pm 5%	20	0.252	1.3	30	60
MW5650-222J-LF	2200 \pm 5%	20	0.252	1.2	35	55
MW5650-272J-LF	2700 \pm 5%	20	0.252	1.1	55	45
MW5650-332J-LF	3300 \pm 5%	20	0.252	1.0	60	40
MW5650-392J-LF	3900 \pm 5%	20	0.252	1.0	70	38
MW5650-472J-LF	4700 \pm 5%	20	0.252	0.9	78	36
MW5650-562J-LF	5600 \pm 5%	20	0.252	0.8	85	33
MW5650-682J-LF	6800 \pm 5%	20	0.252	0.7	110	30
MW5650-822J-LF	8200 \pm 5%	20	0.252	0.6	125	28
MW5650-103J-LF	10000 \pm 5%	15	0.0796	0.5	150	25

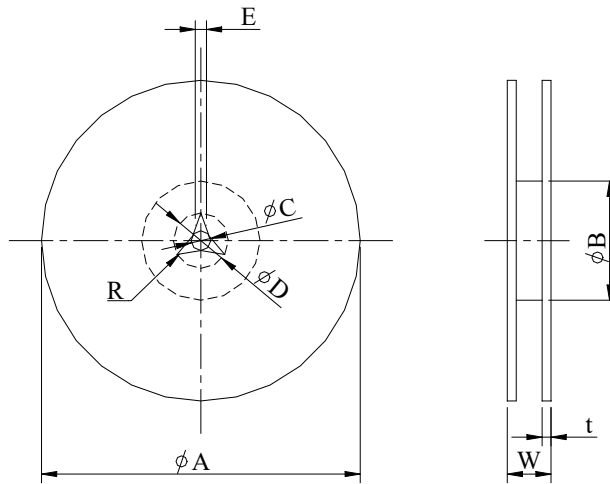
- Rated DC current : Base on temperature rise not to exceed at 20°C and inductance is 90% more than its nominal value.
- Operating temperature : -40°C to 105°C.



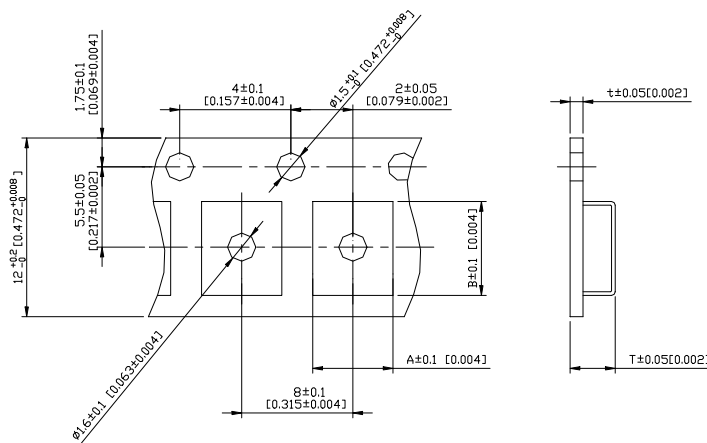
Wire Wound Chip Inductors - MW5650 SERIES



PACKAGING SPECIFICATION



	A	B	C	D	E	W8	W12	t	R
T($\psi 330$ mm) Reel	$\psi 330$	—	$\psi 13 \pm 1.0$	$\psi 23 \pm 1.0$	2.5 ± 0.5	—	—	—	—



TYPE	A	B	T	t	T($\psi 330$ mm)
MW5650	—	—	—	—	1000 pcs/reel